

KNAPHEIDE
SINCE 1848

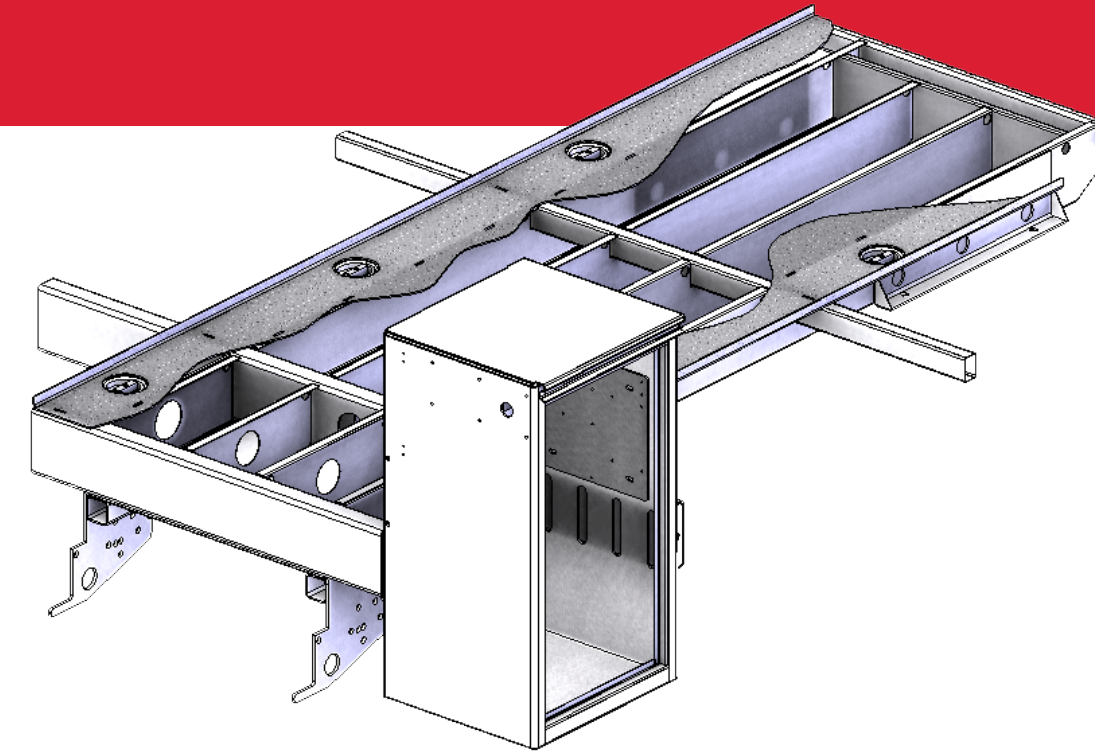


**PETERBILT
KMT2 - KMT3
MECHANICS TRUCKS**

KNAPHEIDE MECHANICS TRUCKS

Knapheide Mechanics Trucks come equipped with standard features to help you get the job done. With secure side compartments and an oversized cargo space, you can carry everything you need.

Choose a Knapheide Mechanics Truck for the durability and functionality that stands above the rest.



KMT CRANE BODY UNDERSTRUCTURE

Unique torq-isolator crane support system transfers lift forces into the full length torsion box subframe and outriggers, and not the side compartments.

Reinforced rear vertical curb side compartment is independent of all other side compartments, eliminating flexing and twisting of side packs.

KMT2 - KMT3 MODELS

Count on the Knapheide KMT2 and KMT3 Mechanics Trucks for the most demanding lifting applications. These bodies are compatible with Class 6-8 trucks.

POPULAR VOCATIONS



HEAVY
CONSTRUCTION



AGRICULTURE



PREVENTATIVE
MAINTENANCE



OIL/MINING/GAS

A. DOUBLE PANELED DOORS

made of galvaneal steel (14-gauge outer panel, 20-gauge inner panel) are reinforced with internal braces for durability

B. 3-POINT T-HANDLE LATCHES

ensure your compartment doors stay closed and are individually lockable

C. MASTER LOCKING SYSTEM

locks down all compartments on one side with one motion

D. KNAPLINER BUMPER

provides work surface with lockable through compartment, a vise plate, and two grip strut flex steps

E. HEAVY DUTY ALUMINUM GRAB HANDLES

installed on both sides at rear of the body for easy cargo area access

F. INTEGRATED LED S/T/T AND B/U, LED STROBES

with (8) selectable patterns and built-in reflectivity mounted to external rear light boxes made of UV-resistant ABS material

G. 16" HIGH DOUBLE PANEL SLAM TAILGATE

with center latch and flat space for displaying company graphics

H. CAB PROTECTOR

welded-on with fully punched window for visibility

I. (4) LED 1200 LUMEN WORK LIGHTS

installed (2 at front, 2 at rear) for low-light working conditions

J. HYDRAULIC OUTRIGGERS

out-and-down curb side and hydraulic down street side for crane stability during lifting operations

K. 66,000 FT-LB. CRANE

with 21' hydraulic reach, provided by a two-stage hydraulic extension

L. ROTARY SCREW HYDRAULIC COMPRESSOR

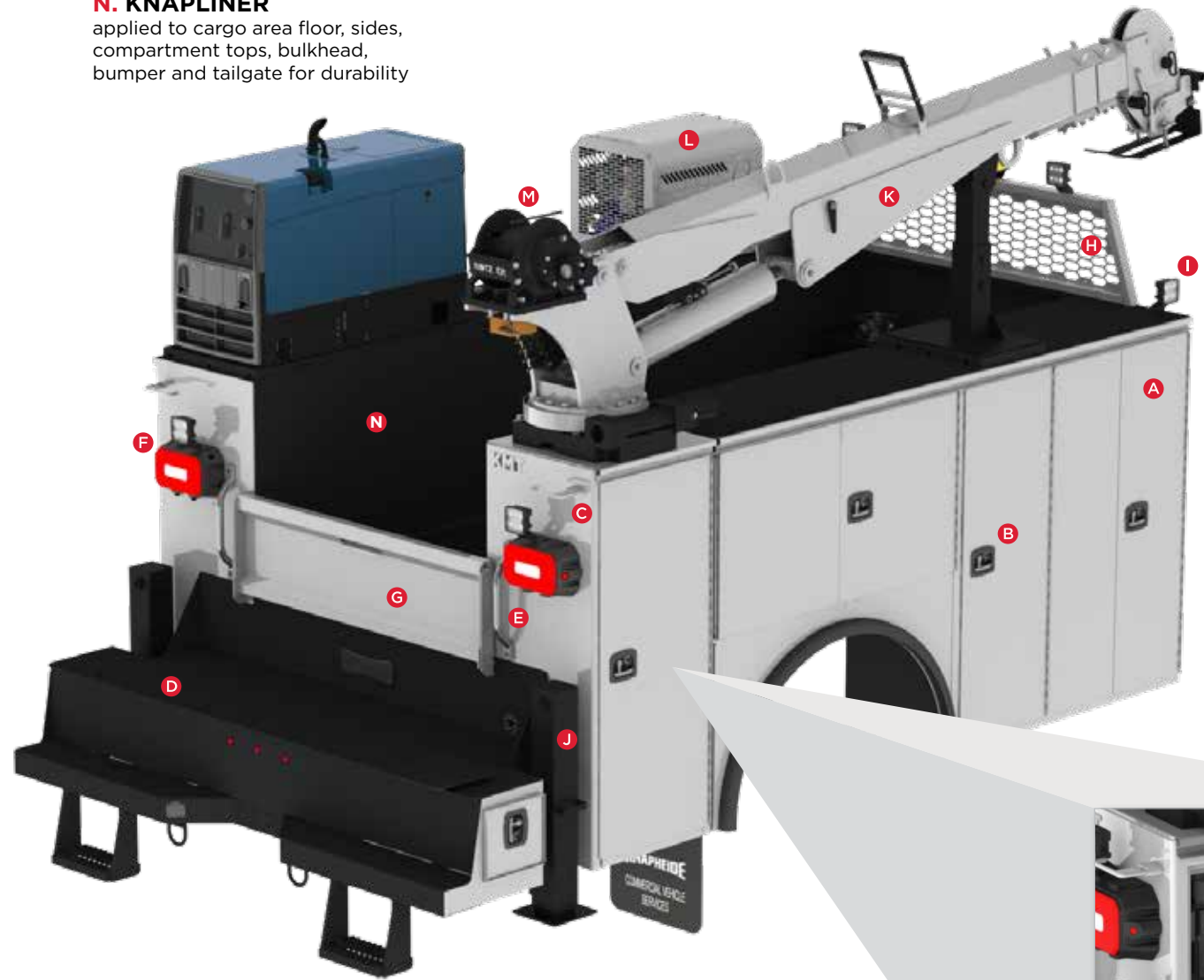
35 CFM on 11' models, 60 CFM on 13' and 14' models

M. PLANETARY WINCH

provides a 55 ft. per minute single line speed

N. KNAPLINER

applied to cargo area floor, sides, compartment tops, bulkhead, bumper and tailgate for durability



FEATURES NOT SHOWN

SORTIMO PART STORAGE CONTAINERS

in horizontal compartment on street side

ALUMINUM MECHANIC 7-DRAWER SET

Extreme duty aluminum mechanic 7-drawer set on street side

HEXAGONAL BOOM

eliminates boom flex and lateral movement for ultimate stability

MULTI-FUNCTION RADIO REMOTE CONTROL

provides convenient complete control of the crane

KNAPHEIDE'S WATER-BASED UNDERCOAT

Bodies are fully protected with Knapheide's water-based undercoat

ELECTRODEPOSITION PRIME-PAINT SYSTEM

provides superior corrosion resistance

(6) D-RING CARGO TIE DOWNS

each D-ring provides a 2000 lb working load capacity

3/16" TREAD PLATE FLOOR

provides traction for safety

12-GAUGE GALVANEAL STEEL

Compartment bottoms and end panels

COMPARTMENT FEATURES



DOUBLE-SPRING OVER-CENTER RETAINER

on vertical compartment doors eliminate involuntary swing



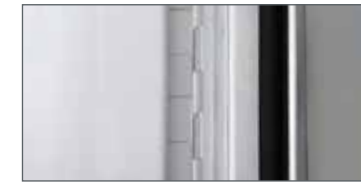
NEOPRENE DOOR SEALS

protect compartments from the weather



ADJUSTABLE DIVIDER SHELVES

250-lb. capacity



CONTINUOUS STAINLESS STEEL HINGES

are pry-proof and corrosion-resistant

CRANE COMPARTMENT



50' X 1/2" COMPRESSOR HOSE REEL AND ROLLER FAIRLEAD

through curb side vertical compartment



POLYETHYLENE FORMED DRIP PAN WITH DRAIN HOSE

placed under the crane manages water intrusion through the crane pedestal



KNAPHEIDE CONTROLLER

power cell, controller and 8-button switch panel located in the rear crane compartment. CAN bus system with continuous working load of 115 amps features built-in overload current protection for system and operator system

A. DOUBLE PANELED DOORS

made of galvanized steel (14-gauge outer panel, 20-gauge inner panel) are reinforced with internal braces for durability

B. 3-POINT T-HANDLE LATCHES

ensure your compartment doors stay closed and are individually lockable

C. MASTER LOCKING SYSTEM

locks down all compartments on one side with one motion

D. KNAPLINER BUMPER

provides work surface with lockable through compartment, a vise plate, and two grip strut flex steps

E. HEAVY DUTY ALUMINUM GRAB HANDLES

installed on both sides at rear of the body for easy cargo area access

F. INTEGRATED LED S/T/T AND B/U, LED STROBES

with (8) selectable patterns and built-in reflectivity mounted to external rear light boxes made of UV-resistant ABS material

G. 16" HIGH DOUBLE PANEL SLAM TAILGATE

with center latch and flat space for displaying company graphics

H. CAB PROTECTOR

welded-on with fully punched window for visibility

I. (4) LED 1200 LUMEN WORK LIGHTS

installed (2 at front, 2 at rear) for low-light working conditions

J. HYDRAULIC OUTRIGGERS

out-and-down curb side and hydraulic down street side for crane stability during lifting operations

K. 70,000 FT-LB. CRANE

with 30' hydraulic reach, provided by a two-stage hydraulic extension

L. ROTARY SCREW HYDRAULIC COMPRESSOR

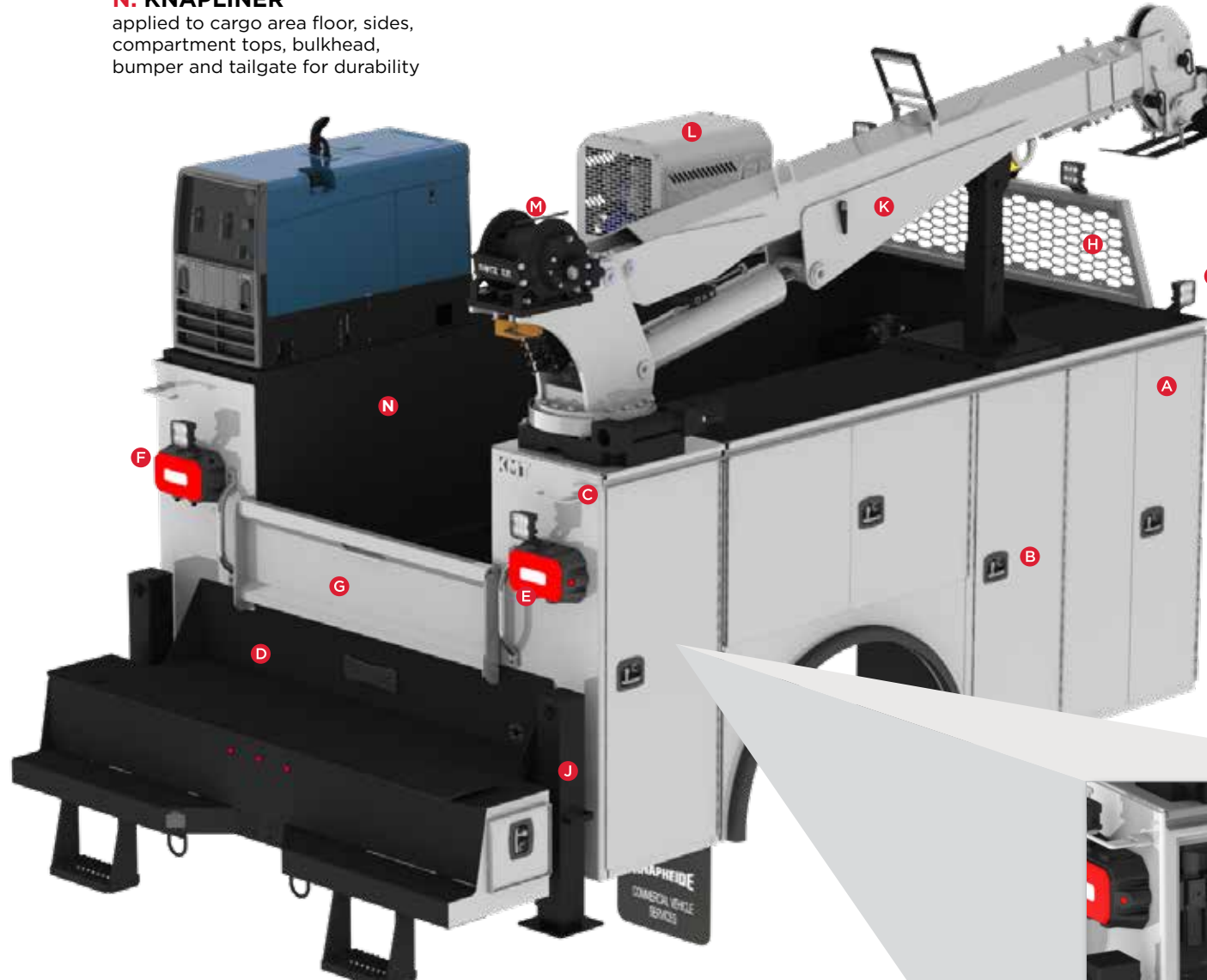
35 CFM on 11' models, 60 CFM on 13' and 14' models

M. PLANETARY WINCH

provides a 60 ft. per minute single line speed

N. KNAPLINER

applied to cargo area floor, sides, compartment tops, bulkhead, bumper and tailgate for durability



FEATURES NOT SHOWN

SORTIMO PART STORAGE CONTAINERS

in horizontal compartment on street side

ALUMINUM MECHANIC 7-DRAWER SET

Extreme duty aluminum mechanic 7-drawer set on street side

HEXAGONAL BOOM

eliminates boom flex and lateral movement for ultimate stability

MULTI-FUNCTION RADIO REMOTE CONTROL

provides convenient complete control of the crane

KNAPHEIDE'S WATER-BASED UNDERCOAT

Bodies are fully protected with Knapheide's water-based undercoat

ELECTRODEPOSITION PRIME-PAINT SYSTEM

provides superior corrosion resistance

(6) D-RING CARGO TIE DOWNS

each D-ring provides a 2000 lb working load capacity

3/16" TREAD PLATE FLOOR

provides traction for safety

12-GAUGE GALVANNEAL STEEL

Compartment bottoms and end panels

COMPARTMENT FEATURES



DOUBLE-SPRING OVER-CENTER RETAINER

on vertical compartment doors eliminate involuntary swing



NEOPRENE DOOR SEALS

protect compartments from the weather



ADJUSTABLE DIVIDER SHELVES

250-lb. capacity



CONTINUOUS STAINLESS STEEL HINGES

are pry-proof and corrosion-resistant

CRANE COMPARTMENT



50' X 1/2" COMPRESSOR HOSE REEL AND ROLLER FAIRLEAD

through curb side vertical compartment



POLYETHYLENE FORMED DRIP PAN WITH DRAIN HOSE

placed under the crane manages water intrusion through the crane pedestal



KNAPHEIDE CONTROLLER

power cell, controller and 8-button switch panel located in the rear crane compartment. CAN bus system with continuous working load of 115 amps features built-in overload current protection for system and operator system

REQUEST A QUOTE



Visit knapheide.com/quote and fill out the form to receive a quote and additional product information.



POPULAR OPTIONS



AUXILIARY LIGHTING



WELDER



LED COMPARTMENT LIGHTS



CARGO COVER



8x BUTTON KEYPAD



STEEL MECHANIC DRAWERS



APU UNIT



ADDITIONAL MECHANIC DRAWERS



LUBE SKID

MODEL OPTIONS

KMT2 - KMT3

MODEL	GVWR MIN./RANGE	BUMPER	BODY LENGTH	COMPARTMENT HEIGHT	COMPARTMENT DEPTH	CARGO AREA WIDTH	TOPS & BACKS	REAR HITCH
KMT2-11	26,000	24" with step down	11'	60"	22"	50"	10ga high yield steel	Pintle mount plate below bumper
KMT2-13	26,000	24" with step down	13'	60"	22"	50"	10ga high yield steel	Pintle mount plate below bumper
KMT2-14	26,000	24" with step down	14'	60"	22"	50"	10ga high yield steel	Pintle mount plate below bumper
KMT3-14	33,000+	28" with step down	14'	60"	22"	50"	10ga high yield steel	Pintle mount plate below bumper

COMMITMENT TO CORROSION RESISTANCE

Corrosion won't be a concern when you buy quality Knapheide products. To give you the best corrosion protection, we utilize a state-of-the-art, custom-designed, 12-step, SST cathodic electrodeposition finishing system, called "E-Coat."

It bonds prime paint to steel by an electroplating process to give you a superior coat of primer, resulting in better corrosion protection compared to spraying methods.

This system allows us to create products with the highest level of corrosion resistance available.



FOLLOW US
LIKE US
TAG US



SIX YEAR, LIMITED TIME WARRANTY



**NO RUST
THROUGH**



**DOOR HINGES
WILL NOT FAIL OR
COME OFF BODY**



**LATCHES AND LOCK
CYLINDERS WILL NOT
FAIL TO OPERATE**



**SHELVES WILL NOT
BEND UNDER MAX.
LOAD OF 250 LBS.**

TO LEARN MORE VISIT
www.knapheide.com/warranty



NEVER SETTLE

If you are going to be a leader, it takes more than building a high-quality product. It means never being totally satisfied with that product, no matter how high quality it may be. It requires constant vigilance and a willingness to take a chance on something new. And it means exceeding expectations every time. As the industry changes, one thing never will—our commitment to making customers like you as productive and efficient as possible. We know you don't settle, and we don't either. That's why we want you never to settle for anything less than Knapheide on the back of your truck.

KNAPHEIDE. NEVER SETTLE.



The Knapheide Manufacturing Company
1848 Westphalia Strasse | Quincy, IL 62305
217-222-7131
www.knapheide.com