



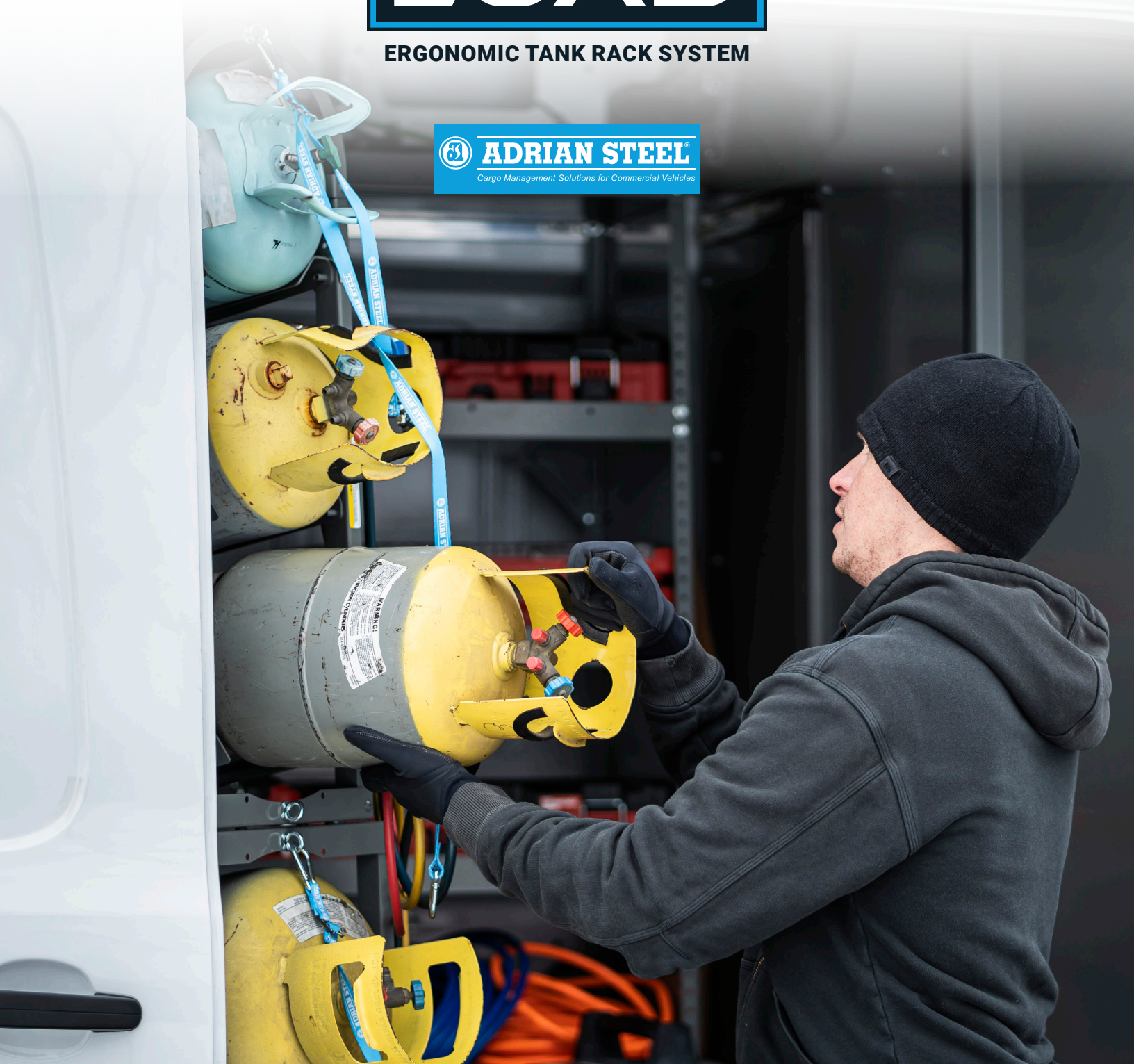
FL **LOAD**

ERGONOMIC TANK RACK SYSTEM



ADRIAN STEEL

Cargo Management Solutions for Commercial Vehicles



TANK RACKS



ERGONOMIC TANK RACK SYSTEM

OUR MOST FLEXIBLE AND ERGONOMIC TANK RACK SYSTEM, EVER.

The all-new Adrian Steel EZLoad™ Tank Racks are a revolution in design, ergonomics, and real-life use. The modular, patent pending design allows you to build a perfect configuration of 30-50 lb. tanks and/or acetylene tank options based on what you need carry. You can stack, mix and match or add top trays to find the best configuration for your business.



GRAB-N-GO ACCESS

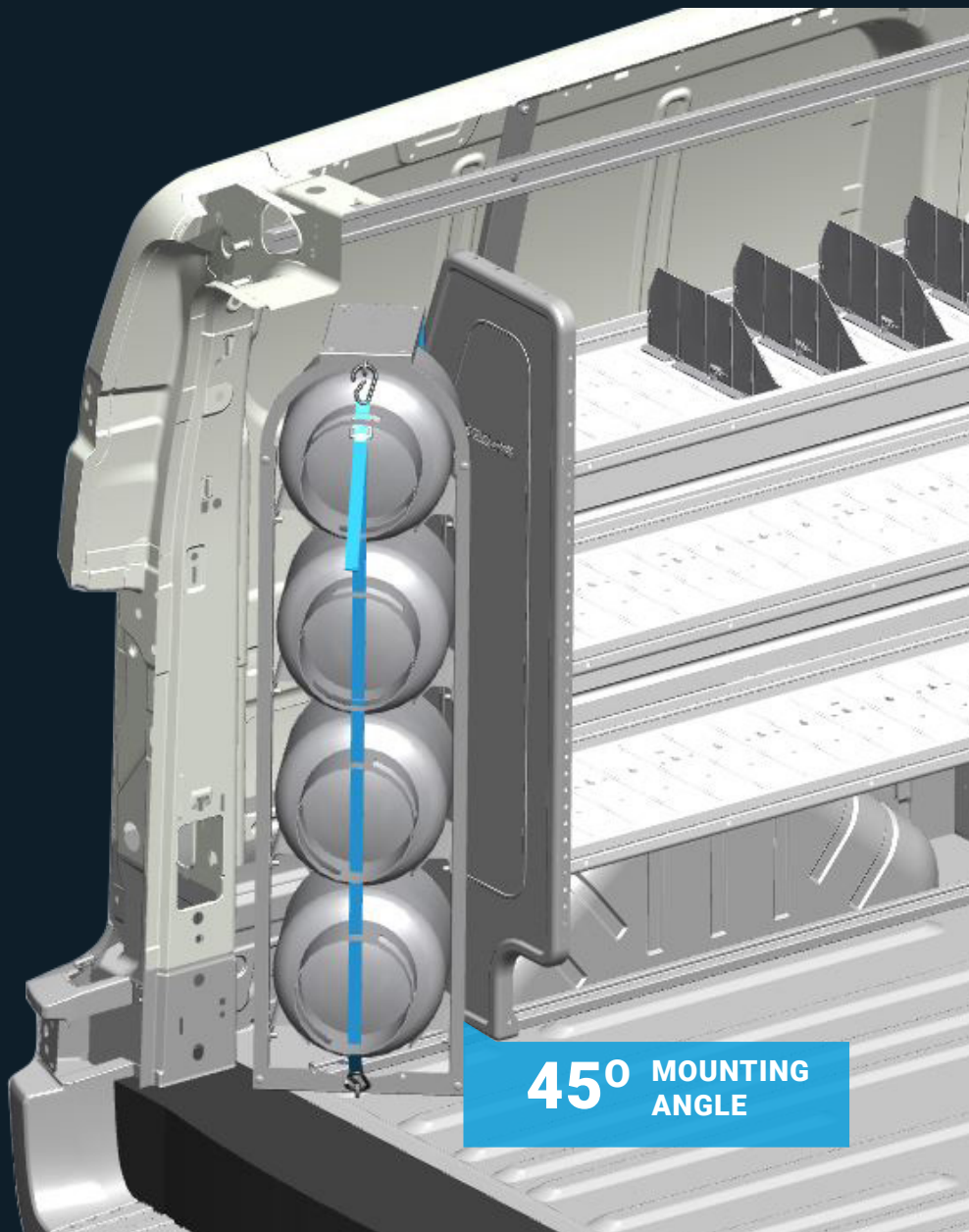


MADE IN USA

MOUNT AT THE REAR OR SIDE DOORS FOR SAFEST AND EASIEST ACCESS.

SAFEST ERGONOMIC ANGLE

This system is designed to be installed at the rear or side doors at a 45° angle providing you the most ergonomic access to your tanks. This helps prevent back and shoulder injuries when loading/unloading full or empty tanks.



45° MOUNTING
ANGLE

FLEXIBLE &

**30 LBS.
TANKS**

**50 LBS.
TANKS**

**ACETYLENE
TANKS**

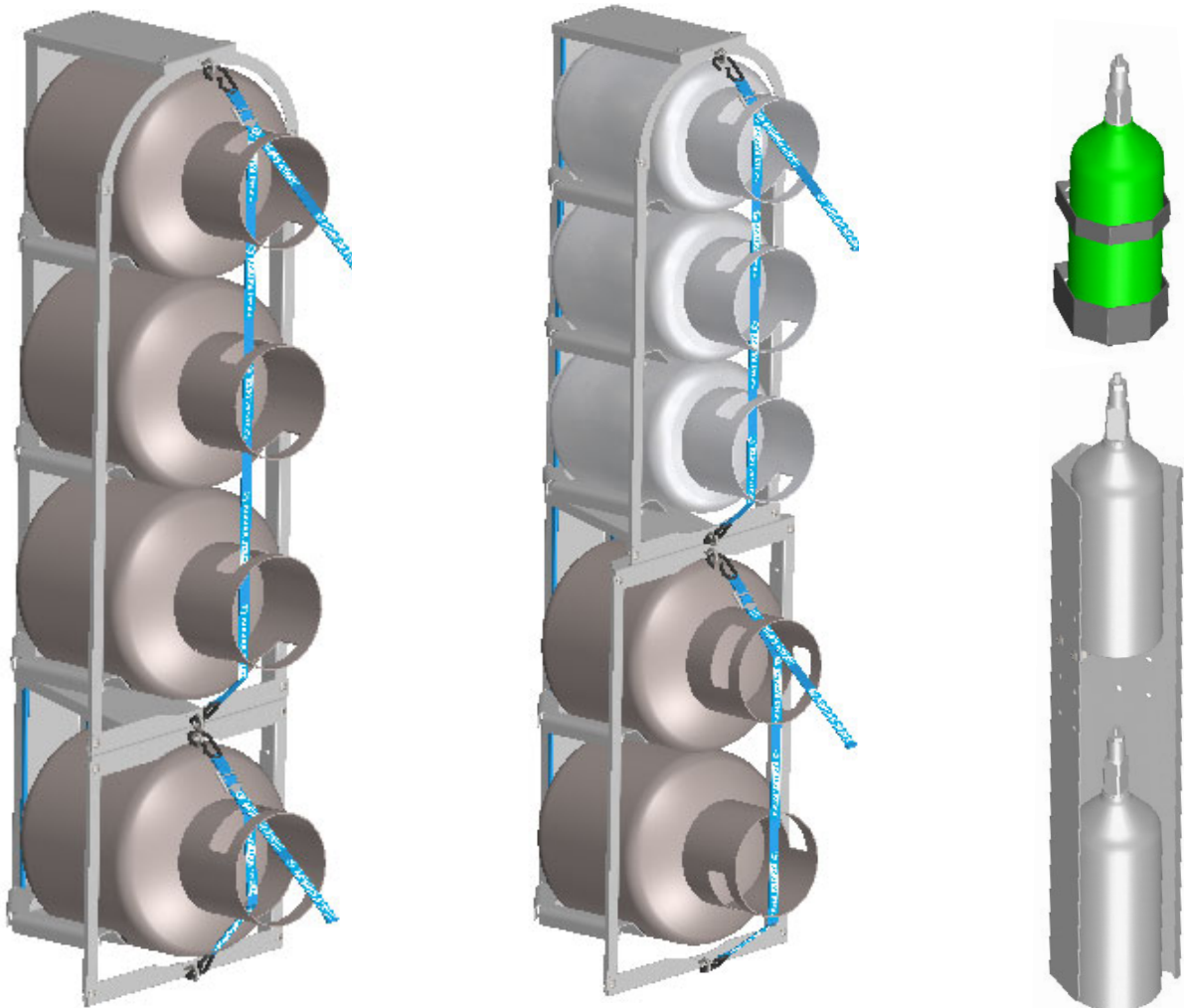


STACKABLE STORAGE

BUILD WHAT YOU NEED

MODULAR ADVANTAGE

Whether you need to carry two tanks or twelve, the EZLoad™ tank rack system is built for you. With endless stacking configurations of 30-50 lb. tanks and/or acetylene tanks, safely store exactly what you need.



**MIX-N-MATCH
CONFIGURATIONS**

SAFETY & ERGONOMICS

ELIMINATE AWKWARD AND RISKY MOVEMENTS

SCORE:
3

EZLOAD™ TANK RACKS

With help of REBA analysis, Adrian Steel® worked to eliminate unsafe body movements associated with traditional tank racks. EZLoad™ Ergonomic Tank Racks are the only system that offers access from outside of the work van with an ergonomic 'low risk' angle facing the center of any door access. The EZLoad™ Tank Rack is the biggest safety advancement in the history of tank storage.

**LOW
RISK**

REBA testing scores as low as 3, which is low risk, eliminating those awkward and unsafe movements.



Score	Level of MSD Risk
1	Negligible Risk, no action required
2-3	Low Risk, change may be needed
4-7	Medium Risk, further investigation, change soon
8-10	High Risk, investigate and implement change
11+	Very High Risk, implement change

The REBA Test

(Rapid Entire Body Assessment)

Ergonomic assessment tool uses a systematic process to evaluate whole-body postural MSD and risks associated with job tasks.

SCORE:
13

TRADITIONAL TANK RACKS

Traditional racks on the market can put the operator in awkward positions that increase the risk of injury when pulling tanks out of the vehicle. After conducting several REBA tests, traditional tank racks scored as high as 13, which is classified as VERY HIGH RISK activity.

**VERY
HIGH
RISK**

HIGH RISK BODY MOVEMENTS

(Increased risk of injury)



Extended reach when tank rack is mounted at a 90° angle.



Kneeling and twisting when inside the van.



Bending and twisting from outside of the van.

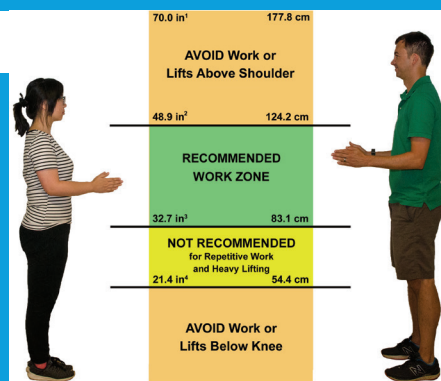


Entering and crouching while inside of the van.

GOLDEN ZONE

Background to REBA

The Rapid Entire Body Assessment (REBA) (Hignett and McAtamney, 2000 ergonomists from University of Nottingham in England) was developed to assess whole body working postures. Data is collected about postures adopted, type of movement, repetition, forces used and coupling. A final REBA score is generated to give an indication of the level of risk and urgency with which action should be taken to lower the risk of injury.





ERGONOMIC TANK RACK SYSTEM



ADRIAN STEEL®

Cargo Management Solutions for Commercial Vehicles

**WORK
SAFER
WORK
SMARTER**



MADE IN USA



ADRIAN STEEL COMPANY

info@adriansteel.com

800.677.2726